

RF Current Clamp

Model: **RFC-101**

Data Sheet

1.0 Description

The RFC-101 Current Probe is a diagnostic tool for checking cables common mode current sources of conducted emissions. The Current Probe is designed for use with spectrum analyzers having a 50-ohm input impedance.

2.0 Key Features

- Low Profile
- Low weight
- Allows measuring RF Currents without direct connection



3.0 Specifications

3.1 Mechanical Specification

Mechanical Specification	
Parameter	Specification
Height	57.48 mm
Width	48.36 mm
Depth	41.51 mm
Weight	128 grms
Opening Diameter	10.00 mm

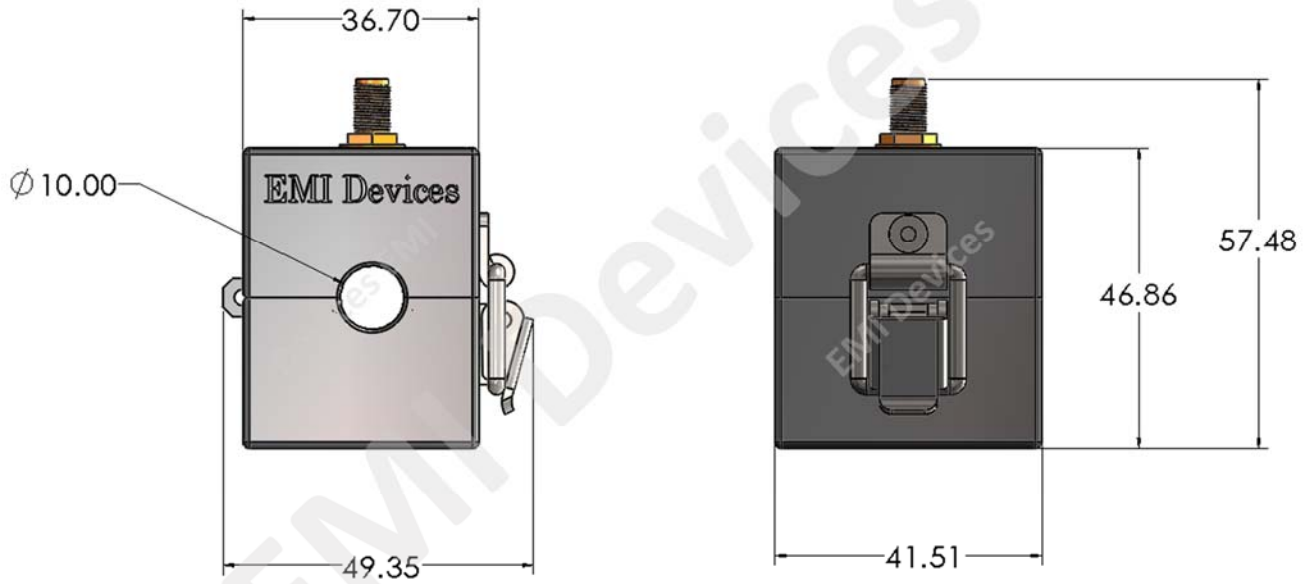


Fig.1. RF Current Probe Dimensions (units are in mm).

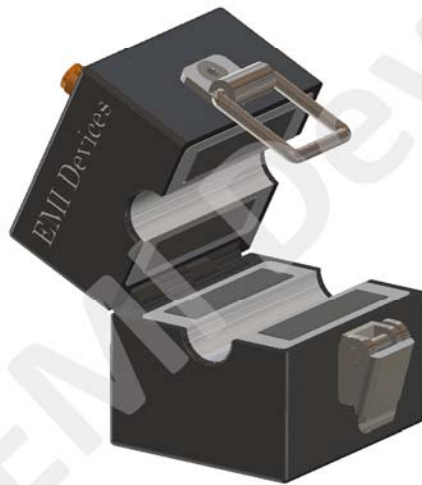


Fig.2. RF Current Probe in "Open" Configuration

3.2 Electrical Specification

Electrical Specification	
Parameter	Specification
Frequency Range	150 KHz - 30 MHz

Disclaimer

- All specifications are subject to change without notice. EMI Devices shall not be liable for incidental or consequential damage if any kind.
- Product Warranty – One Year
- All information contained in this specification is the property of EMI Devices. None of the material may be reproduced or copied without permission from EMI Devices.