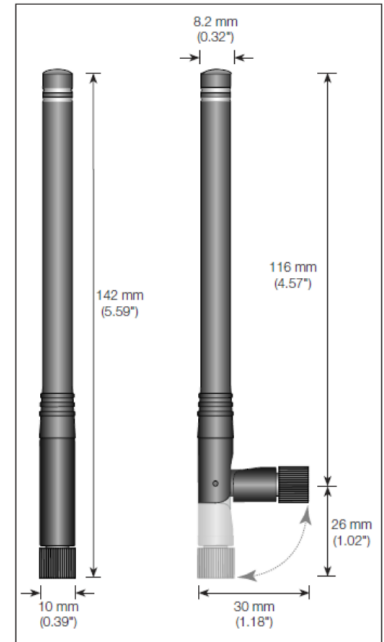


Part Number: **SW315LX**

Data Sheet

SW315LX

EMI Devices Part Number:	SW315LX
Description:	Omni-Directional
Manufacturer:	Pulse Electronics
Manufacturer Part Number:	ANT-315-CW-HWR-SMA
Detailed Product Datasheet:	ANT-315-CW-HWR-SMA



Disclaimer

All specifications are subject to change without notice. EMI Devices shall not be liable for incidental or consequential damage if any kind.

SW315LX – S11 Test Data

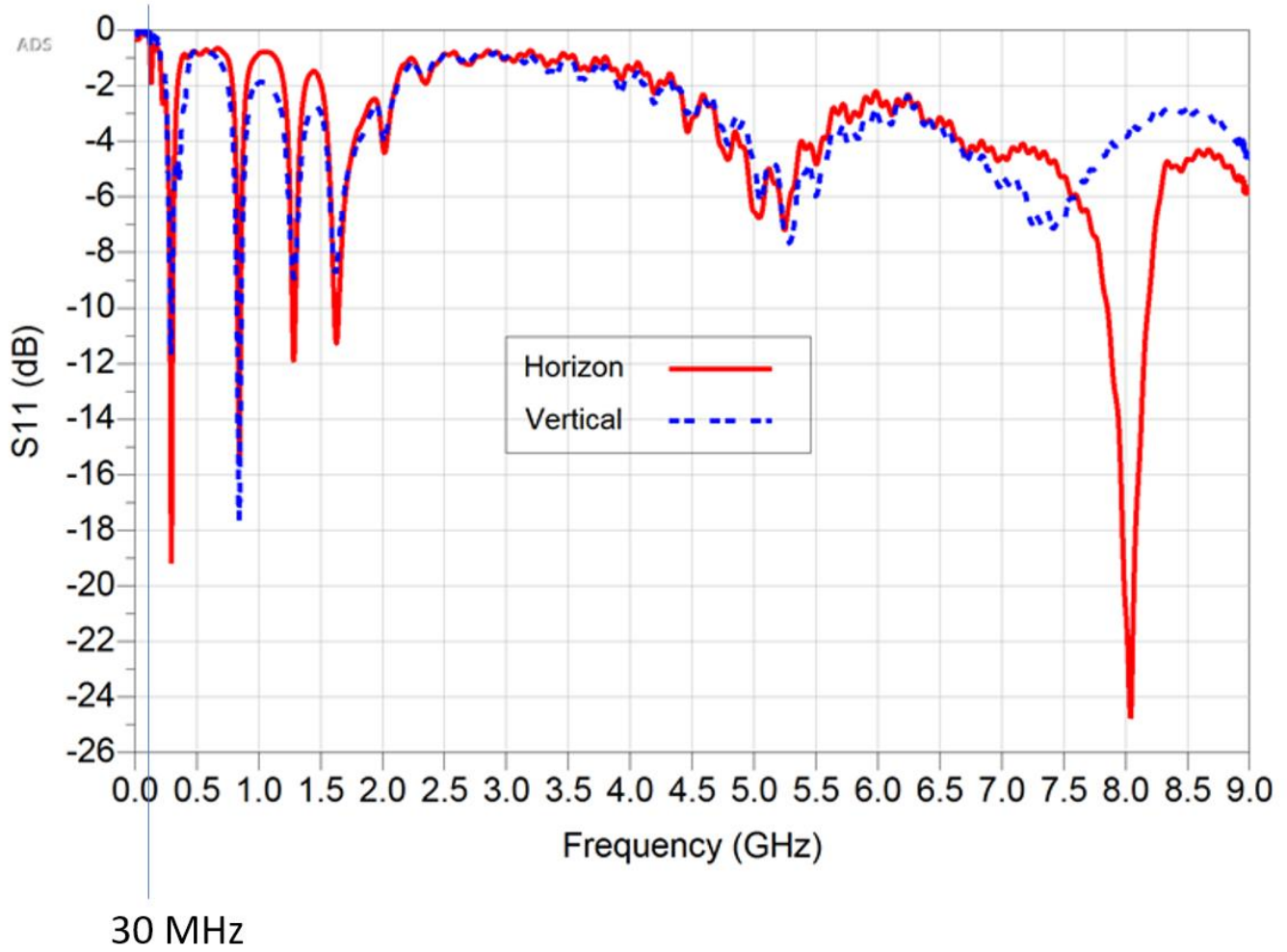


Fig 1.0 S11 vs. Frequency Tested in Vertical and Horizontal Orientations

Disclaimer

All specifications are subject to change without notice. EMI Devices shall not be liable for incidental or consequential damage if any kind.