

Part Number: **AD1600**

Data Sheet

AD1600

| | |
|--------------------------|-------------------------|
| EMI Devices Part Number: | AD1600 |
| Description: | Adapter, Comb Generator |
| Manufacturer: | EMI Devices |
| Material: | ABS |

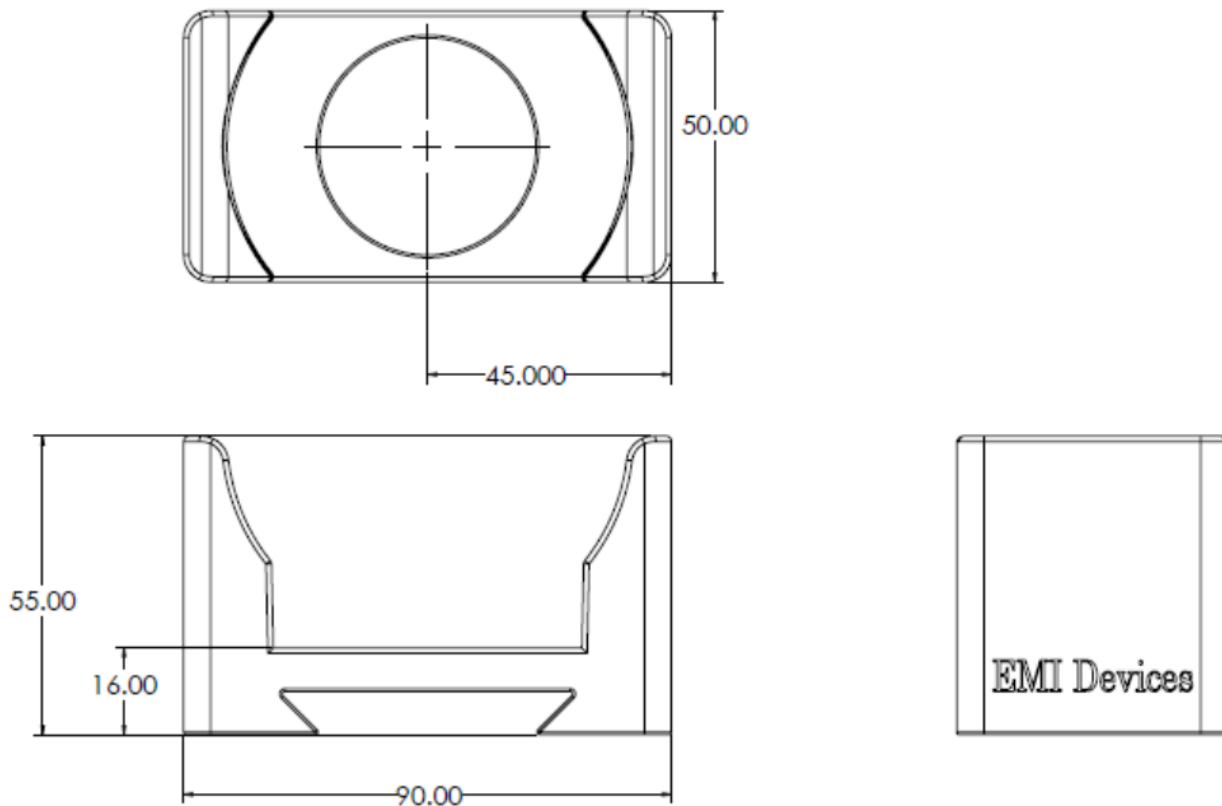


Fig 1.0 Adapter, Comb Generator - Dimensions

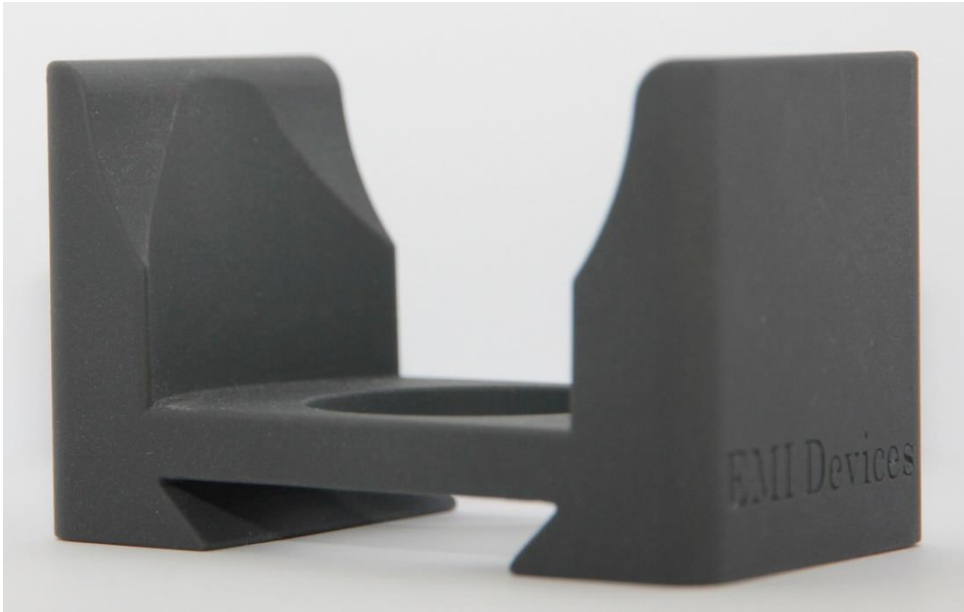


Fig 2.0 Comb Generator Adapter



Fig 3.0 Adapter with Comb Generator - Horizontally Oriented



Fig 3.0 Adapter with Comb Generator - Vertically Oriented

[Disclaimer](#)

All specifications are subject to change without notice. EMI Devices shall not be liable for incidental or consequential damage if any kind.