

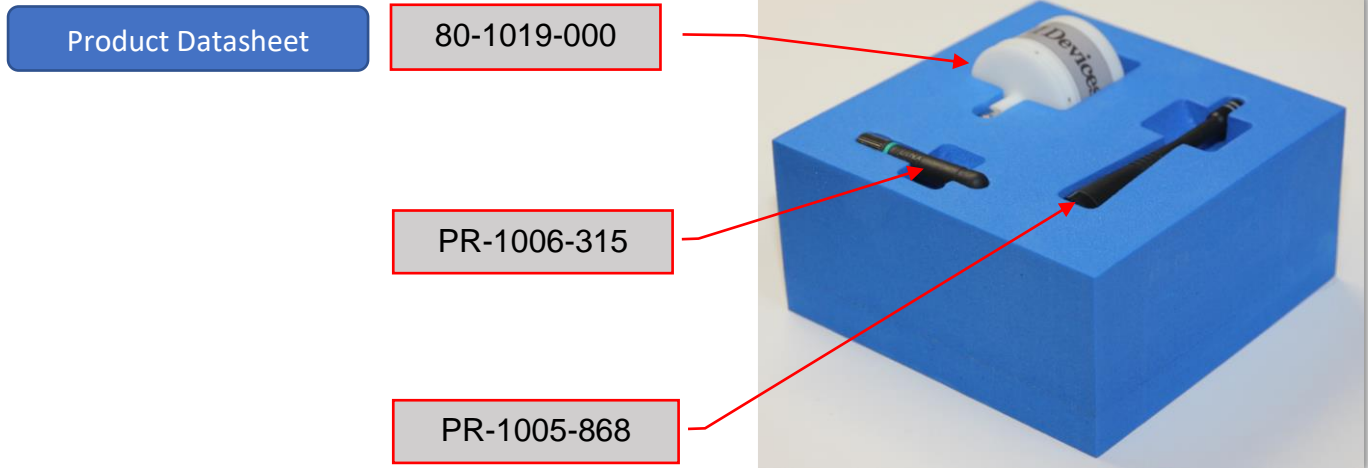
Antenna Kit

Model **S4500-001**



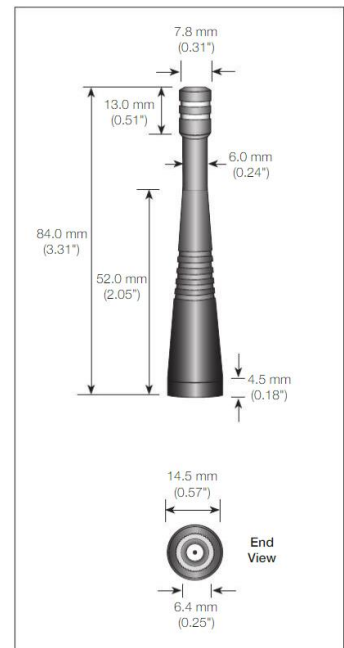
EMI/RFI/ESD Test Solutions

Data Sheet



PR-1005-868

EMI Devices Part Number:	PR-1005-868
Description:	¼ Wave Antenna
Manufacturer:	Linx
Manufacturer Part Number:	ANT-868-CW-QW-SMA
Detailed Product Datasheet:	ANT-858-CW-QW



Disclaimer

All specifications are subject to change without notice. EMI Devices shall not be liable for incidental or consequential damage if any kind.

Antenna Kit

Model **KS4500-001**

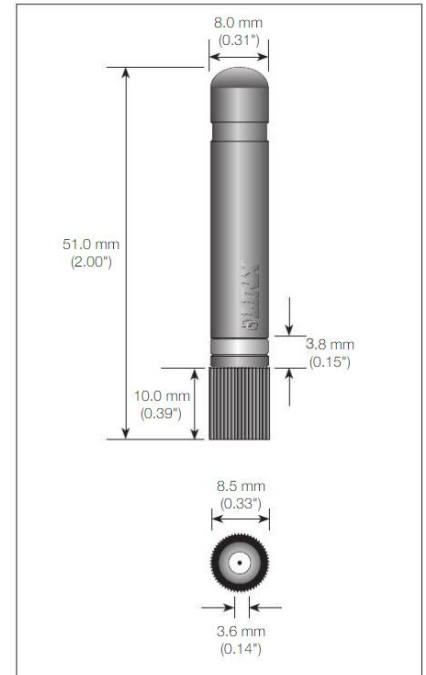


EMI/RFI/ESD Test Solutions

Data Sheet

PR-1006-315

EMI Devices Part Number:	PR-1006-315
Description:	¼ Wave Antenna
Manufacturer:	Linx Technologies Inc.
Manufacturer Part Number:	ANT-315-CW-RH
Detailed Product Datasheet:	ANT-315-CW-RH



Disclaimer

All specifications are subject to change without notice. EMI Devices shall not be liable for incidental or consequential damage if any kind.